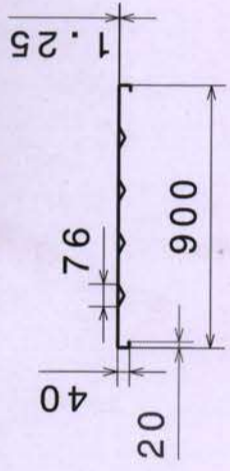


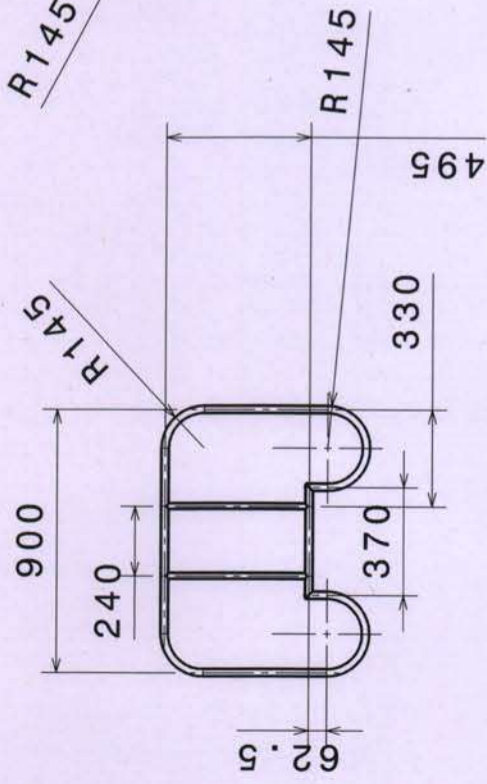
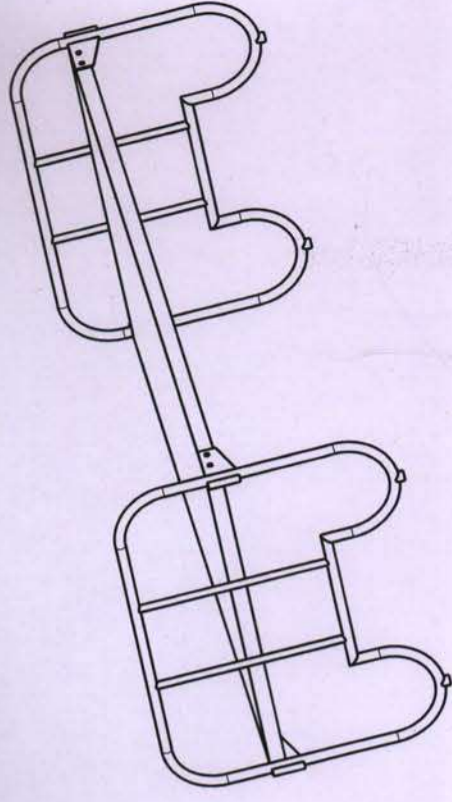
Detail B



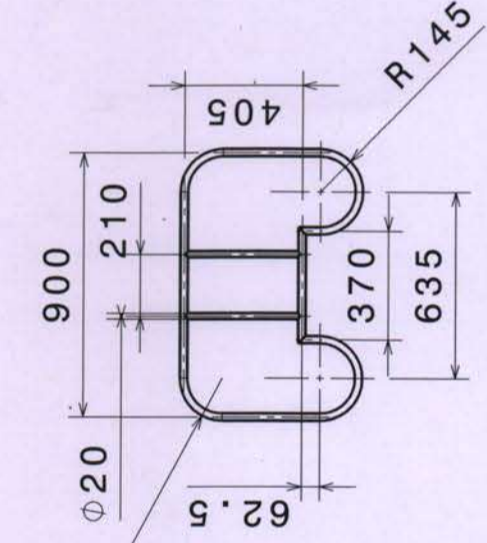
Section cut A-A

1.25 MM THICKNESS MS STEEL PLATE

STEEL COT

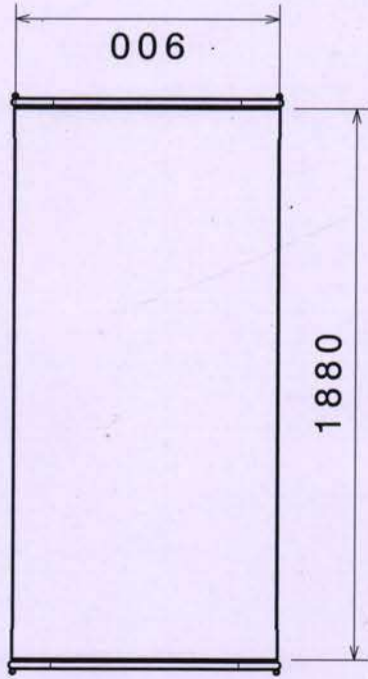


HEAD SIDE BAR



LEG SIDE BAR

1' INCHES ROUND STEEL PIPE (M S)



This drawing is our property. It can't be reproduced or communicated without our written agreement.

DRAWN BY	DATE
CHECKED BY	DATE
DESIGNED BY	DATE

S. Bastav Babu
S. Babu



DRAWING TITLE
STEEL COT

SIZE	DRAWING NUMBER	REV
A3		X
SCALE	WEIGHT (kg)	SHEET
		1/1

