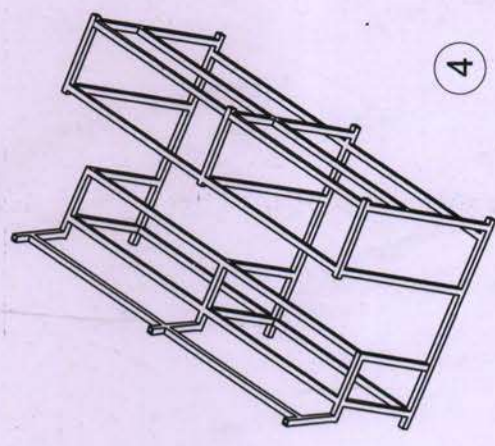
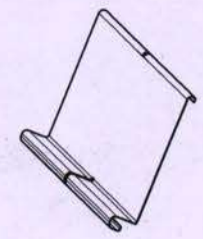


STUDENT WORK TABLE



Steel Structure MS



book rack steel MS

| S.NO | PART LIST                                  | MATERIAL |
|------|--|----------|
| 1    | WORKING PLYWOOD                            |          |
| 2    | SITTING PLYWOOD                            |          |
| 3    | LEANING PLYWOOD                            |          |
| 4    | 1" INCH STEEL SQUARE PIPE THICKNESS 1.5 MM | M S      |
| 5    | BOOK RACK STEEL THICKNESS 0.7 MM           | M S      |

|               |  |                |      |
|---------------|--|----------------|------|
| DESIGNED      |  | NAME           | DATE |
| DRAWN         |  | S. Baskar Babu |      |
| CHECKED       |  | S. Babu        |      |
| STANDARD      |  |                |      |
| APPROVED      |  |                |      |
| DRAWING NO: 1 |  |                |      |

STUDENT WORK TABLE

SCALE 1:1

All dimension in -MM

DETAIL A