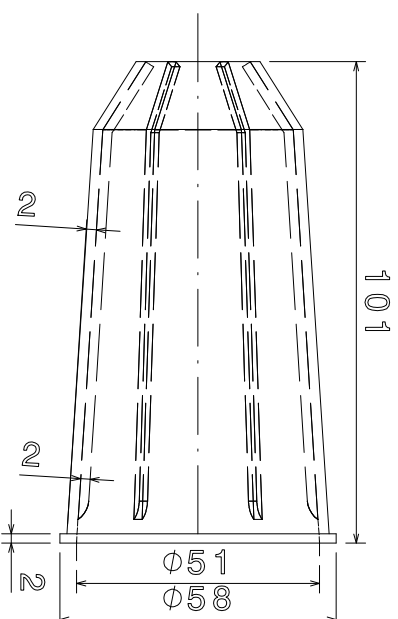
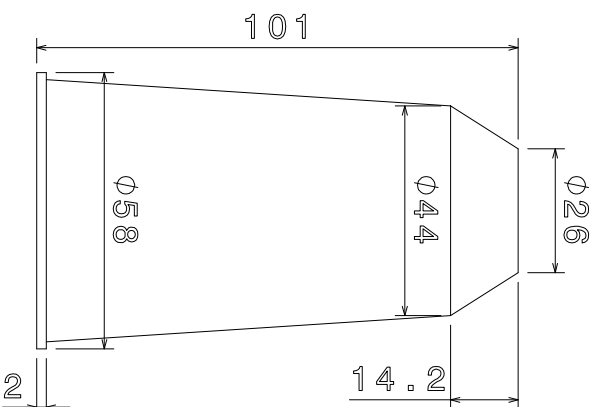


Top view  
Scale: 1:1



Left view  
Scale: 1:1



Front view  
Scale: 1:1

## NOTE

- 1) FOUR IMPRESSION INJECTION MOULD FOR ABOVE DRAWING
- 2) CORE & CAVITY SHOULD BE IN GOOD QUALITY (EN-24, EN-31, EN-30B, WPS, HDS, D-2, P-20 Etc.)
- 3) OTHER PART OF THE MOULD SHOULD BE IN EN-8 MATERIAL



CIPET  
Centre for Skilling and Technical Support

# CIPET : CSTS

CIPET : Centre for Skilling and Technical Support (CSTS),

Plot No.A, IDCO, Bampada Industrial Area,

Balasore - 756056, Odisha.

Mobile No.: +91-6380669691 / 6370703002

Email: [apptcbis@gmail.com](mailto:apptcbis@gmail.com) / [apptc.balasore@cpet.gov.in](mailto:apptc.balasore@cpet.gov.in)