



## **BIDDING DOCUMENT FOR**

SUPPLY OF MOULDS FOR TOOLROOM DEPARTMENTS OF  
CIPET: CSTS IMPHAL

TENDER NO :CIPET/IMP/ADMIN/TENDER-02/MOULD/2022-23  
LAST DATE FOR SUBMISSION OF BID: 22.12.2022.

**CENTRAL INSTITUTE OF PETROCHEMICALS ENGINEERING &  
TECHNOLOGY**

(Formerly Central Institute of Plastics Engineering & Technology)

**CIPET: CSTS IMPHAL**

Department of Chemicals & Petrochemicals; Ministry of Chemicals & Fertilizers, Govt.  
of India

Takyelpat Industrial Estate Imphal-795001

**Phone:70055 96439/ 70058 28320 /99545 42542**

**E-mail: [cipetim@gmail.com](mailto:cipetim@gmail.com)/ Imphal @cipet.gov.in**

Website: [www.cipet.gov.in](http://www.cipet.gov.in)

Date: 02.12.2022

**NOTICE INVITING TENDERS**

CIPET:CSTS Imphal invites rates Tender in two Bid systems (Technical and Financial) from Resourceful and reliable bidders for Supply of mould at Imphal.

S. No	Name of the mould	Estimated Cost	EMD	Tender Fee	Quantity	Last Date for submission of tender Documents
1	Injection Mould for “Flower Pot”	2,10,000.00	4200/-	1000	01	22.12.2022 upto 5.30 PM
2	Injection Mould for “Base Plate”	1,10,000.00	2200/-		01	
3	Total amount	3,20,000.00	6400/-			

Interested and eligible bidders may view and download the detailed tender documents from CIPET website [www.cipet.gov.in](http://www.cipet.gov.in)/may collect from CIPET:CSTS Imphal.

The Tender Fee and EMD will be accepted in the form of Demand Draft drawn on any Indian Nationalized Bank in favor of “CIPET Imphal payable at Imphal and shall be submitted at as specified on or before 22.12.2022 up to 5:30 P.M. in separate sealed cover superscripted with “SUPPLY OF MOULDS AT CIPET: CSTS IMPHAL”, failing which bids will be summarily rejected.

Bidders are requested to visit CIPET website regularly for any addendum /corrigendum (If any) with regard to the tender for which no separate advertisements will be published.

Sd/-

Joint Director & Head  
CIPET:CSTS Imphal

## **SPECIAL TERMS AND CONDITIONS / INSTRUCTIONS TO BIDDER**

1. Eligibility Criteria: Tenderer should have successfully supplied the same moulds at least once to a Government or Private Firm / Department within the last 05 (Five) financial years. Purchase order copy of the same may be uploaded as proof.
2. One Picture / Diagram representation of the instrument must be provided along with the Technical Bid Documents.
3. Offer should be in two parts Viz., "TECHNICAL BID" and "FINANCIAL BID".
4. Any Tender received by the Purchaser after the deadline for submission of Tenders prescribed by the Purchaser, will be rejected. Conditional tender will be summarily rejected without prejudice so bidders are advised to quote the price as per N.I.T. conditions only.
5. Tenders shall remain valid for 180 days after the date of Tender.
6. The item should be supplied within 60days time from the date of issue of the Purchase Order / Work Order.
7. The cost of tender document is Rs. 1,000/- (Non Refundable) and Tenderers are requested to submit the tender fees on or before 22.12.2022 5.30 PM, by Demand Draft drawn in favor of "CIPET Imphal" payable at Imphal, failing which the tender will be rejected.
8. Successful bidder shall have to deposit a performance security (10% of contract value) either in the form of DD /Bank Guarantee for a period of 60 (sixty) days beyond warranty or legal obligation period.
9. TDS (Tax Deducted at Source) and other applicable taxes will be deducted as per prevailing rules and regulations of the Government, as applicable.
10. The Tenderer shall complete the Tender Form and fill the appropriate Financial Bid Furnished in the Tender Documents, indicating for the goods to be supplied, a brief description of the Goods, quantity and prices.
11. The Joint Director & Head, CIPET: CSTS Imphal reserves the right to accept or reject any or all tenders at any point of time prior to issue of Purchase Order without assigning any reasons whatsoever and no correspondence shall be entertained in this regard.

12. Relaxation of Norms for startup and Micro & Small Enterprise in Public procurement on Prior experience or Prior Turnover Criteria is applicable, hence MSME /NSIC certificate should be submitted.
13. In pursuance of Rule (iii) of GFR-2017, preference to 'Make in India "Shall be given in Procurement.
14. In the case of a dispute or differences arising between the Purchaser and Supplier relating to any matter arising out or connected with this Tender, such dispute or differences shall be referred within the Jurisdiction of the Court, of Imphal.
15. Payment Terms: Payment shall be made within 15 days after successful delivery and installation of the equipment's at CIPET: CSTS – Imphal.
16. Warranty / After Sale Service: The bidder must provide a minimum 1-year replacement warranty and after sale service for the above item.
- 17. Envelope -I This envelope should be superscribed as "TECHNICAL BID" for supply of Moulds at CIPET:CSTS Imphal.**
- 18. Envelope – II: It will carry the Price Schedule) duly sealed & signed. This envelope should be superscribed as "FINANCE BID" for supply of Moulds at CIPET:CSTS Imphal.**
19. Bidders are requested to submit a hard copy of the Tender Document, which is duly sealed and signed and sent to the Joint Director & Head, CIPET: CSTS Imphal, Takyelpat Industrial Estate ,Pin -795001 on or before 22.12.2022 upto 17:30 Hrs.
- 20. CIPET:CSTS Imphal reserves all the right to reject any or all tender without assigning any reason thereof.**

## TECHNICAL BID

TENDERNo. CIPET/CSTS/IMP/ADMIN/TENDER-02/MOULD/2022-23,DATE:- 02.12.2022

### DESCRIPTION:Supply ofMoulds for CIPET: CSTS Imphal.

1) Injection Mould for House Hold Items:

- a) **Flower Pot**
- b) **Base Plate**

Sl. No.	Particulars to be filled up by theTenderer/Bidder:	
1	Name of the Tenderer / Supplier	
2	Postal address	
3	Telephone No. with STD code	
4	Name of Contact person	
5	Mobile No	
6	E-Mail ID	
7	The firm should have valid registration certificate in support of establishment of the firm (Registration No.)	
8	Technical Specification/Catalogue enclosed.	
8	PAN (Permanent Account Number)	
9	GST Certificate as applicable	
10	Experience of supplying & installation of same instrument to Government or Private Firm / Department within the last 05 (Five) financial years. Purchase order copy of the same may be attached as proof.	
11	Demand Draft No. & Date for Tender Fees (Non refundable) of Rs. 1,000/-	
12	Bid Security Declaration in Prescribed Format.	
13	Validity of Offer	

Date:

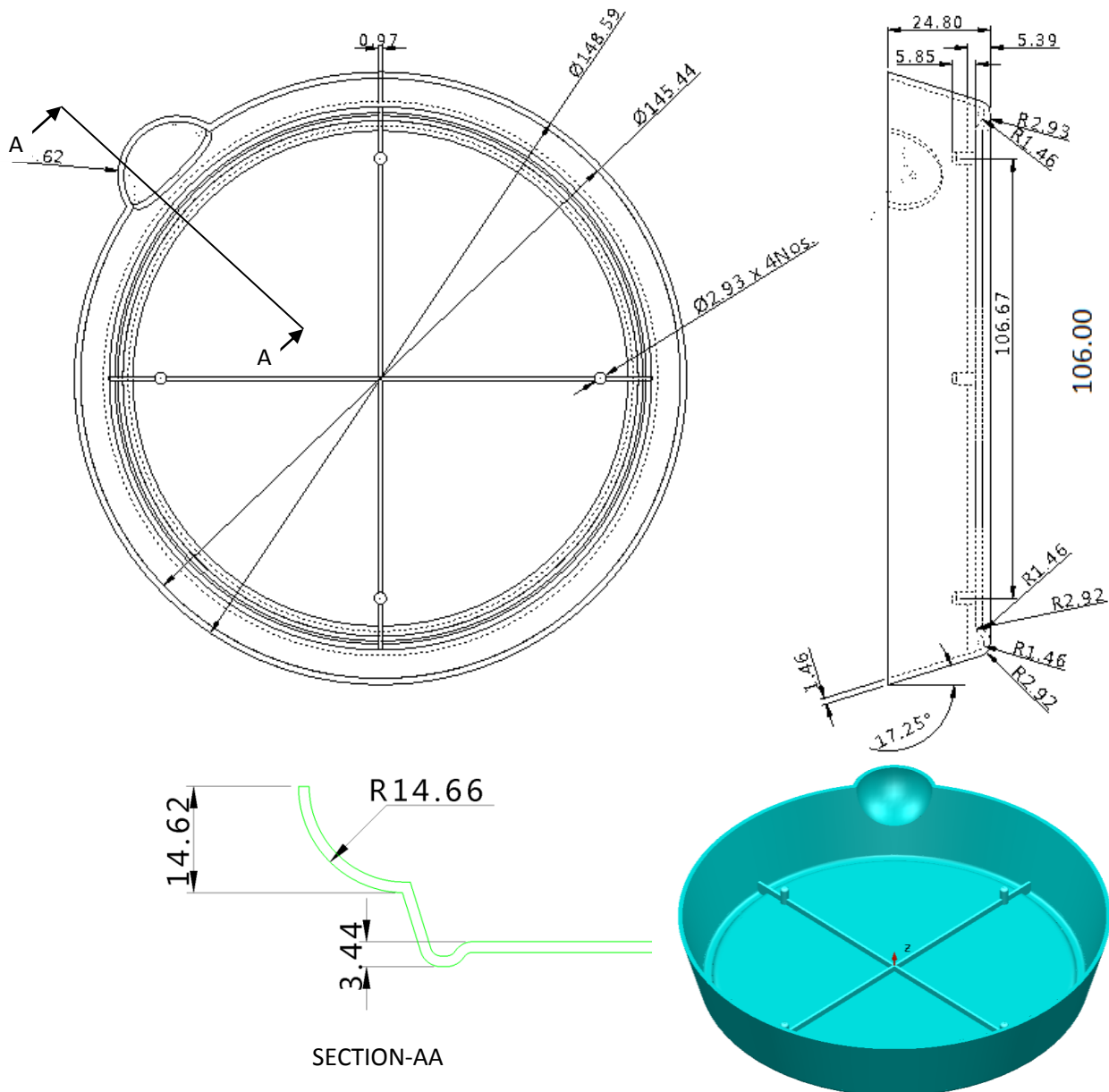
Seal & Sign. of Bidder

# CHECKLIST

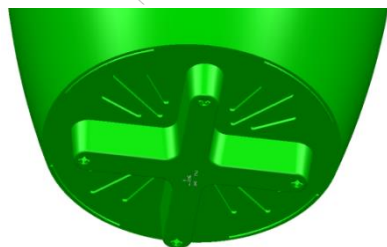
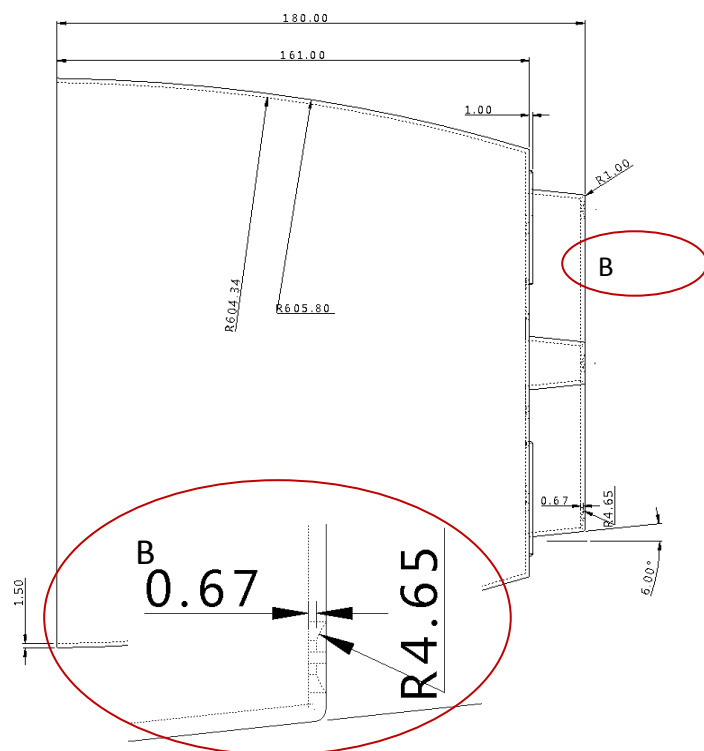
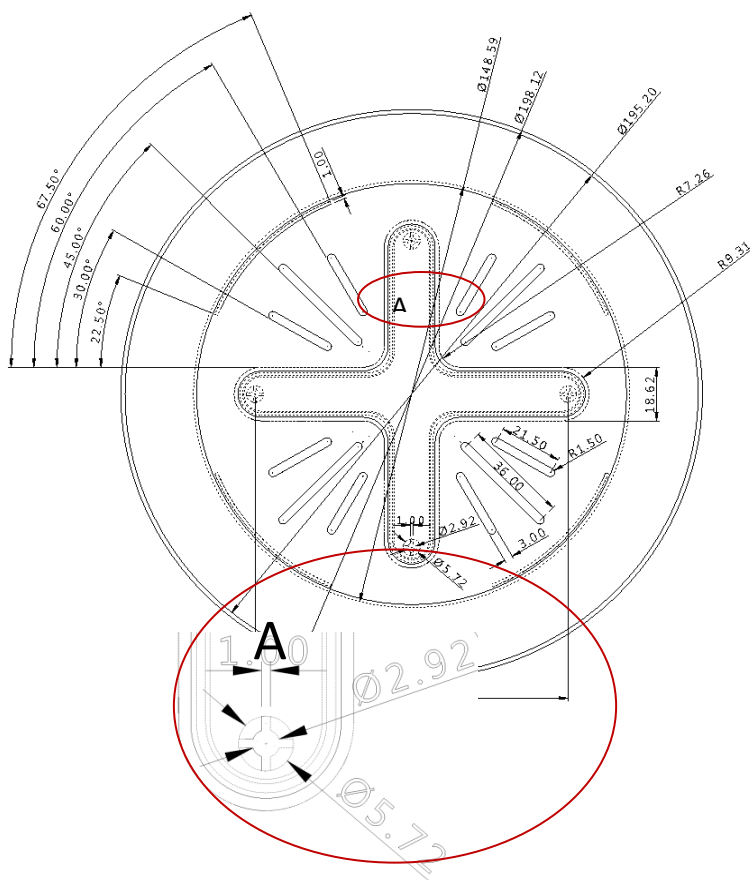
TENDER No.: CIPET/CSTS/IMP/ADMIN/TENDER-02/2022-23, Dated 02.12.2022

1. Have you deposited requisite Tender Fees & EMD / BID Declaration Form?
2. Have you enclosed valid Registration Certificate of Establishment of Firm?
3. Have you enclosed your PAN Certificate?
4. Have you enclosed Registration Certificate of GST?
5. Have you sealed & signed all the pages of Tender document?
6. Have you enclosed experience certificates / previous purchase order copies?

## TECHINICAL SPECIFICATION AND DRAWING OF PRODUCTS.

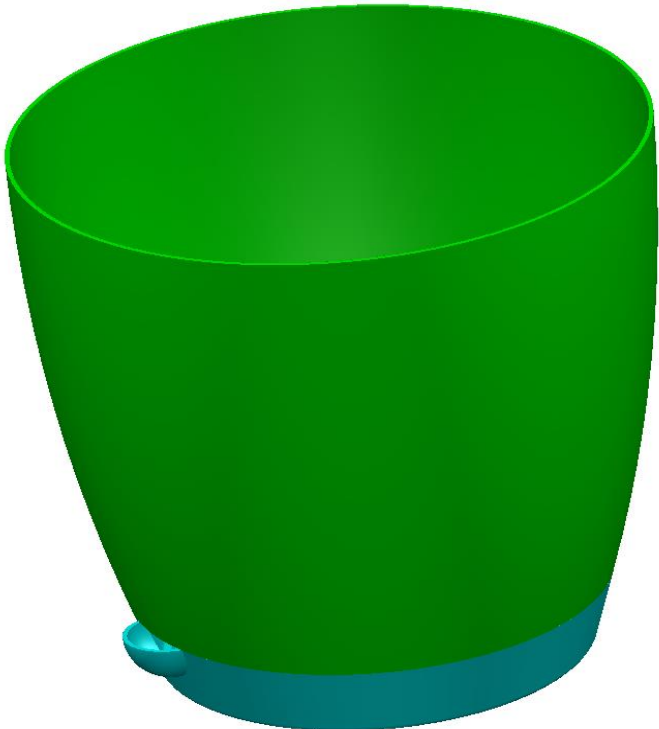


1. Name of the product: **Base Plate**
2. Plastic material to be used: **PP**
3. All dimensions are in **mm**
4. Do not measure the dwg.
5. Part nominal wall thickness is **1.5mm**
6. Core & cavity to be mirror polished and hard chrome plated



1. Name of the product: **Flower Pot**
2. Plastic material to be used: **PP**
3. All dimensions are in **mm**
4. Do not measure the dwg.
5. Part nominal wall thickness is **1.5mm**
6. Core & cavity to be mirror polished and hard chrome plated

ASSEMBLED PICTURE





# **PRICE SCHEDULES**

## **Injection moulds for household items**

Date:

To

**CIPET:CSTS Imphal**  
Takyelpat Industrial Estate -795001

Dear Sir,

**Sub:Financial Bid for Supply Injection moulds for household items at CIPET: CSTS Imphal.**

**Ref:Your E-Tender No.: CIPET/CSTS/IMP/ADMIN/TENDER-02/MOLD/2022-23,dated 02.12.2022**

In response to tender enquiry cited above, we are pleased to enclose the following as our financial bid for your kind consideration.

<b>Sl.no</b>	<b>Descriptionofthe Item</b>	<b>Unit</b>	<b>Quantity</b>	<b>Basic Price Per Unit (Rs.)</b>	<b>Applicable Taxes (Rs.)</b>	<b>Total Amount (Rs.)</b>
1	Injection mould for Flower pot	Nos.	01			
2	Injection mould for base plate	Nos	01			
3	Delivery / Courier Charges (If Applicable)	Nos.	01			
Total Amount (Rs.)						
Total Amount (Words):						

Note:

1. In case of discrepancy between unit price and total price, the unit price shall prevail.
2. Price should be quoted exactly as per the format given above.

**Name of Bidder**

**Signature Of Bidder**

**Place:**