

*Leave the Rest*



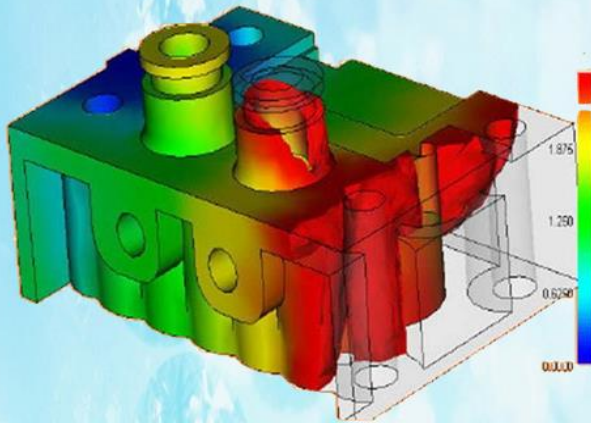
*Catch the Best*

# CENTRAL INSTITUTE OF PLASTICS ENGINEERING & TECHNOLOGY

(Department of Chemicals & Petrochemicals,  
Ministry of Chemicals & Fertilizers, Govt. of India)

**MYSURU**

**AN ISO 9001:2008 CERTIFIED INSTITUTE**



## CAD / CAM / CAE DEPARTMENT



**Contact :**

Deputy Director , CIPET, # 437/A, Hebbal Industrial Area, Mysuru - 570 016.

Ph: 0821-2510618. Mobile : 7795761563. Fax: 0821-2510990.

E-mail: [cipetmys1@gmail.com](mailto:cipetmys1@gmail.com) , [mysore@cipet.gov.in](mailto:mysore@cipet.gov.in)

website : [www.cipet.gov.in](http://www.cipet.gov.in)

## About us

CIPET is the National Institute of under the Govt of India where all the facilities like design, tooling, processing and testing of Plastics are available under one roof. CIPET caters to the needs of plastics industries through manpower training, processing, design, CAD/CAM/CAE, testing, consultancy, advisory and developmental services.

### SHORT TERM COURSES IN CAD/CAM/CAE

S. NO.	NAME OF THE PROGRAM	DURATION	FEES PER EACH COURSE *
1.	DESIGNING THROUGH AUTOCAD	50 Hrs.	5,000/-
2.	CAD USING SOLID WORKS / SOLID EDGE	100 Hrs.	6,000/-
3.	CAD USING CREO / NX / CATIA	100 Hrs.	10,000/-
4.	CAE USING MOLDFLOW	100 Hrs.	10,000/-
5.	CAD & CAM USING SOLID WORKS & MASTERCAM	120 Hrs.	12,000/-
6.	CAD & CAM USING SOLID EDGE & CAM EXPRESS	120 Hrs.	12,000/-
7.	CAD & CAM USING CREO / NX / CATIA	150 Hrs.	15,000/-
8.	CAE USING ANSYS - (MECHANICAL & CFD)	150 Hrs.	14,100/-
9.	CAE USING MSC NASTRON – FATIGUE	150 Hrs.	14,100/-

\* 18% Service Taxes Extra

**Features:** All Major CAD/CAM Softwares with Latest Version, Highly configured Workstations with LCD Displays, Experienced Faculties, Placement Assistance, Hostel Facility for outstation candidates.

**Working Day** : Monday to Friday (9.00 am to 9.30 pm) & Saturday (9.00 am to 5.30 pm)

**Timing** : Flexible time as per requirement [ Full Timing, Part Timing, Morning / Evening ] as per requirement.

**Commencing date** : New Batch starts every Week (Monday).

**Concession details** : (Candidates eligible for Concession should produce the relevant documents.)

1. Fresh Engineers, Diplomas & ITI holders - 10 %
2. Current students of Engineering Colleges, Polytechnic, I.T.I and CIPET alumni - 20 %
3. Group concession for candidates who joins min. 5 Nos. of participants per batch -30 %
4. Current batch students of CIPET - 30 %

**Eligibility Details** : Degree / Diploma / ITI or Equivalent having Engineering Drawing as a subject.